

# COOLARC 46

---

Spare Parts .....	1
Figure A: Machine Assembly .....	2
Electrical Schematic .....	3
CODE:50523 .....	3
WEEE .....	4

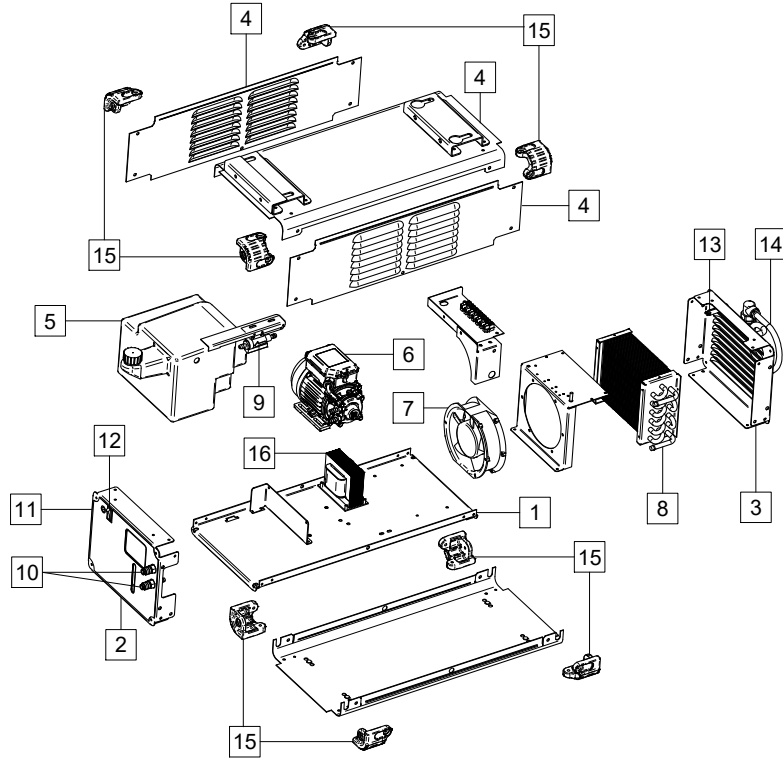


# Spare Parts

SP50523 REV08  
08/23

ASSEMBLY PAGE NAME			Machine Assembly					
<b>CODE NO.:</b>	<b>K NO.:</b>	<b>FIGURE NO.:</b>	<b>A</b>					
50523	K14105-1	COOLARC 46	1					

\*items highlighted in bold are recommended spare parts



**Figure A.**

**Figure A: Machine Assembly**

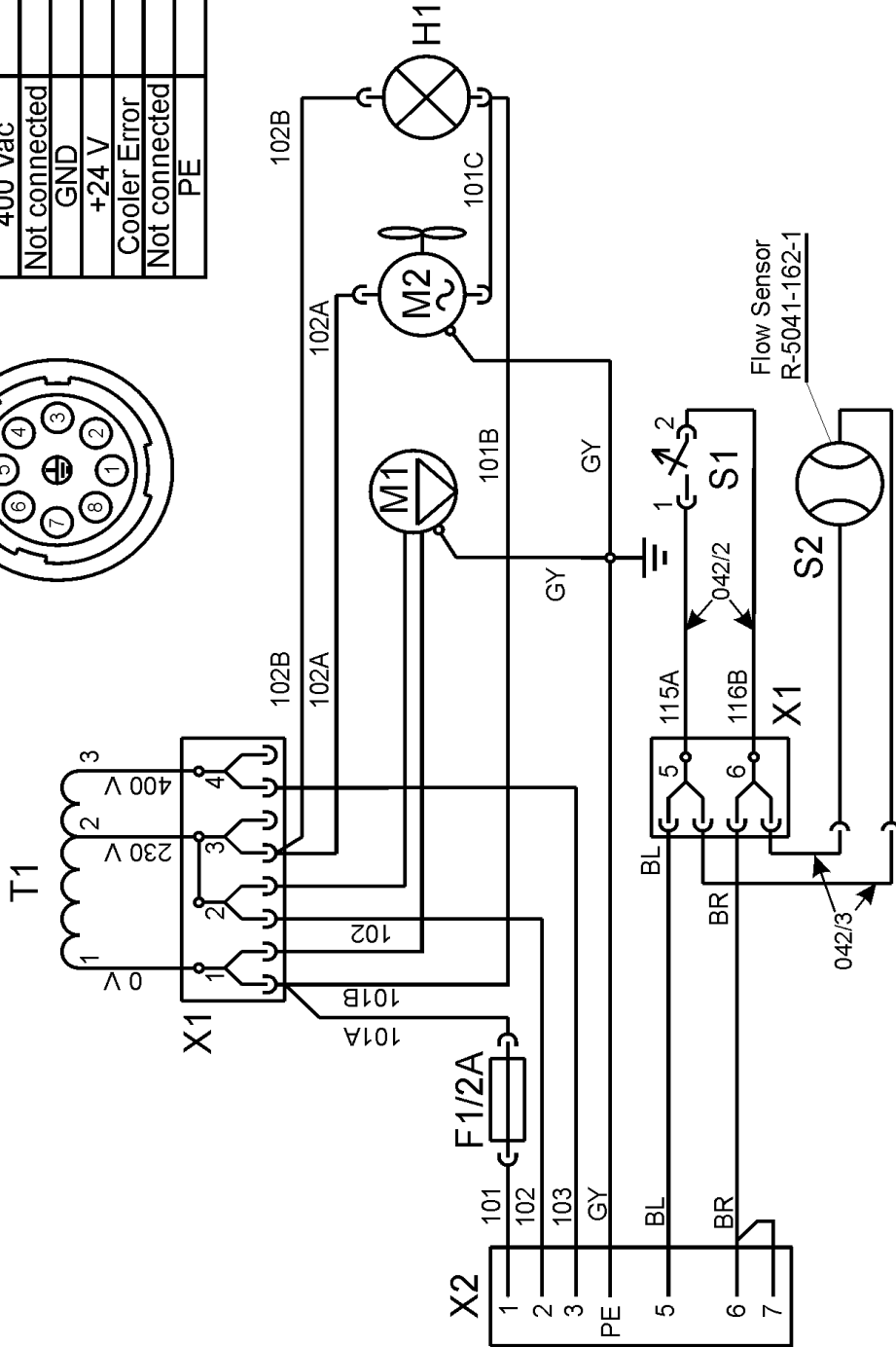
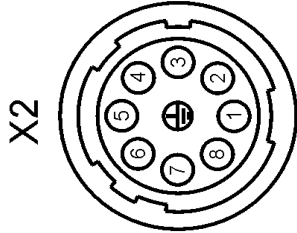
Item	Description	Part Number	QTY	1	2	3	4	5	6	7
1	BASE	R-1019-321-1/08R	1	X						
2	FRONT PANEL	R-1012-541-1/08R	1	X						
3	REAR PANEL	R-1012-542-1/08R	1	X						
4	COVER KIT includes:	T-8040-057-1R	1	X						
	COVER		1	X						
	SIDE PANEL		1	X						
	SIDE PANEL		1	X						
5	<b>RESERVOIR COMPLETE</b>	<b>R-8040-242-2R</b>	<b>1</b>	X						
	RESERVOIR'S NUT	0653-321-006R	1	X						
<b>6</b>	<b>PUMP</b>	<b>0871-100-005R</b>	<b>1</b>	X						
7	FAN	0873-100-031R	1	X						
8	RADIATOR 3R	0871-100-007R	1	X						
<b>9</b>	<b>FLOW SENSOR</b>	<b>R-5041-162-1R</b>	<b>1</b>	X						
10	QUICK CONNECT COUPLING	0744-000-150R	2	X						
11	LAMP	0917-421-004R	1	X						
12	SWITCH	1115-270-004R	1	X						
13	FUSE SOCKET	1158-632-032R	1	X						
14	CABLE WITH CLAMP	R-5041-258-2R	1	X						
15	CORNER CAP	W95X1147R	8	X						
16	TRANSFORMER	R-4034-108-2R	1	X						

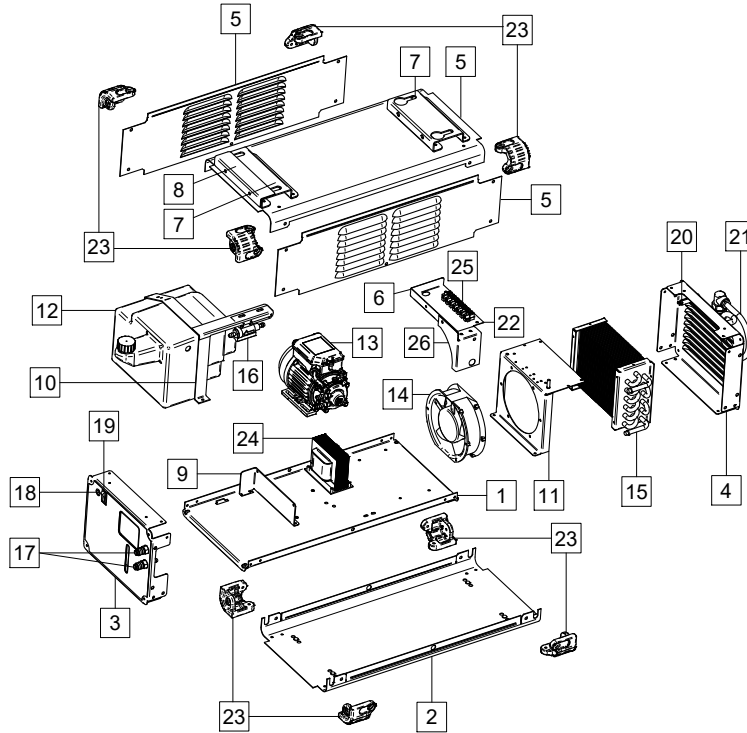
# Electrical Schematic

CODE:50523

WIRING DIAGRAM  
COOL ARC 46

Signal name	Pin Number
0 Vac	1
230 Vac	2
400 Vac	3
Not connected	4
GND	5
+24 V	6
Cooler Error	7
Not connected	8
PE	⊕





Description	Ref.	Recycle				ST				
		Fe	Al	Cu	Brass	Boards	Plastics	Liquid Cristal	External Electric Cables	Capacitors
FRONT PANEL	3	X								
COVER	2, 5	X								
BRACKET	6, 7, 8, 9	X								
BASE	1	X								
CLAMP	10	X								
FAN	14			X			X			
TERMINAL BLOCK	25				X		X			
CORNER CAP	23						X			
REAR PANEL	4	X								
RESERVOIR COMPLETE	12				X		X			
PUMP	13	X		X			X			
RADIATOR	15	X	X	X						
FLOW SENSOR	16	X		X			X			
CONNECT COUPLING	17				X					
LAMP	18						X		X	
SWITCH	19	X		X			X			
FUSE SOCKET	20	X					X			
CABLE CLAMP	21						X			
PLATE	22						X			
TRANSFORMER	24	X		X			X			
POWER LEAD (NOT SHOWN)									X	
FAN COVER	11	X								