

INVERTEC® 300TPX & 400TPX

Spare Parts.....	1
INVERTEC 300TPX.....	1
Figure A: 300TPX.....	1
Figure A: 300TPX Machine Assembly.....	2
INVERTEC 400TPX.....	3
Figure B: 400TPX.....	3
Figure B: 400TPX Machine Assembly.....	4
Electrical Schematic.....	5
300TPX code 52129, 52110.....	5
400TPX code 52130, 52084.....	6



Spare Parts

SP52129/52110 Rev07
07/03

INVERTEC 300TPX

ASSEMBLY PAGE NAME		Machine Assembly					
CODE NO.:	FIGURE NO.:	A					
52129	300TPX CE	1					
52110	300TPX AUS	1					

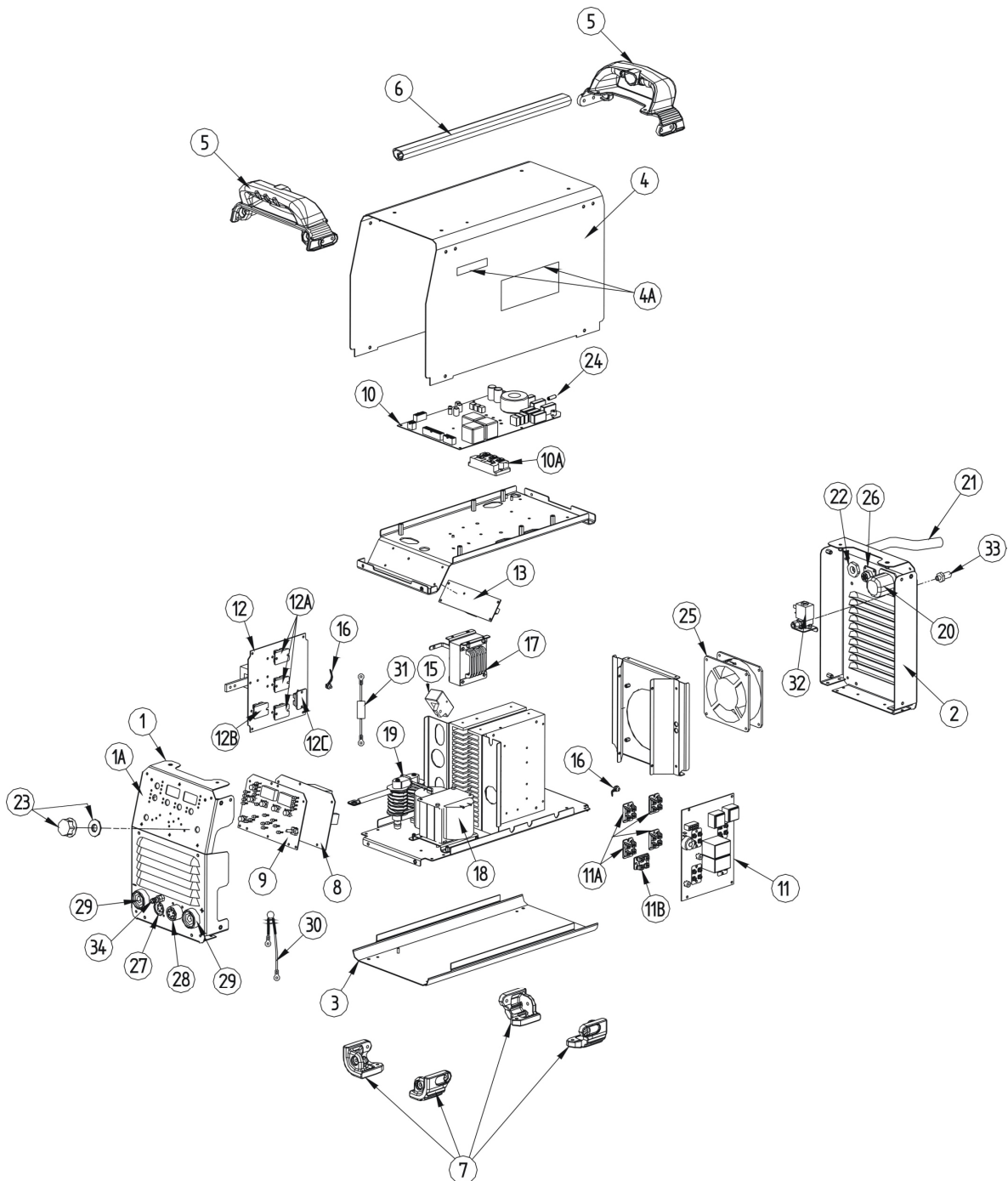


Figure A: 300TPX

Figure A: 300TPX Machine Assembly

Item	Description	Part Number	QTY	1	2	3	4	5	6
1	FRONT FRAME	W93X1361R	1	X					
1A	+ FRONT NAMEPLATE	+ W07X1514R	1	X					
2	REAR FRAME	W93X1362R	1	X					
3	BOTTOM FRAME	W93X1421R	1	X					
4	WRAPAROUND	W93X1133R	1	X					
4A	+ KIT SIDE NAMEPLATES INVERTEC	+ W07X1186R	2	X					
5	FRONT / REAR HANDLE	W95X1146R	2	X					
6	CENTRAL HANDLE	W92X0228-5R	1	X					
7	KIT 4 ANTI-SLIP FOOT	W95X1147R	1	X					
8	CONTROL P.C. BOARD	W05X1687R	1	X					
9	DISPLAY P.C. BOARD	W05X1330-3R	1	X					
10	INPUT P.C. BOARD	W05X1328R	1	X					
10A	+ INPUT RECTIFIER	W4100012R	1	X					
11	INVERTER P.C. BOARD	W05X1327-1R	1	X					
11A	+ POWER IGBT	W4300070R	4	X					
11B	+ POWER RESISTOR	W1810010R	1	X					
12	OUTPUT P.C. BOARD	W05X1326-2R	1	X					
12A	+ OUTPUT DIODE	W4010040R	3	X					
12B	+ DOUBLER BRIDGE	W4100020R	1	X					
12C	+ POWER RESISTOR	W1810010R	1	X					
13	HF P.C. BOARD	W05X1615R	1	X					
14	---	---	-	-					
15	HALL SENSOR	W4900004R	1	X					
16	THERMOSTAT SENSOR	W9600081R	2	X					
17	OUT INDUCTOR	W58X1336R	1	X					
18	OUT TRANSFORMER	W59X1334R	1	X					
19	HF TRANSFORMER	W59X1401R	1	X					
20	SWITCH	W7511707R	1	X					
21	INPUT CORD	W78X1201R	1	X					
22	CABLE CLAMP WITH NUT	W8400006R	1	X					
23	KNOB WITH FELT	W8707653R	1	X					
24	WATER COOLER FUSE	W7300225R	1	X					
25	FAN	W66X1369R	1	X					
26	WATER COOLER CONNECTOR	W6861008R	1	X					
27	TRIGGER TORCH CONNECTOR	R-5141-068-1R	1	X					
28	REMOTE CONTROL CONNECTOR	W6860030R	1	X					
29	DINSE CONNECTOR	W7690350R	2	X					
30	ASSEMBLE CAP. 4n7 250Vac	W66X1248R	1	X					
31	ASSEMBLE CAP. 47nF 2000Vdc	W66X1407R	1	X					
32	SOLENOID VALVE	W8500011R	1	X					
33	FITTING 1/4-1/8 + NUT 1/4	W8896074R	1	X					
34	FITTING QUICK CONNECTION PU 1/8	W8800082R	1	X					

INVERTEC 400TPX

ASSEMBLY PAGE NAME		Machine Assembly					
CODE NO.:	FIGURE NO.:	A					
52130	400TPX CE	1					
52084	400TPX AUS	1					

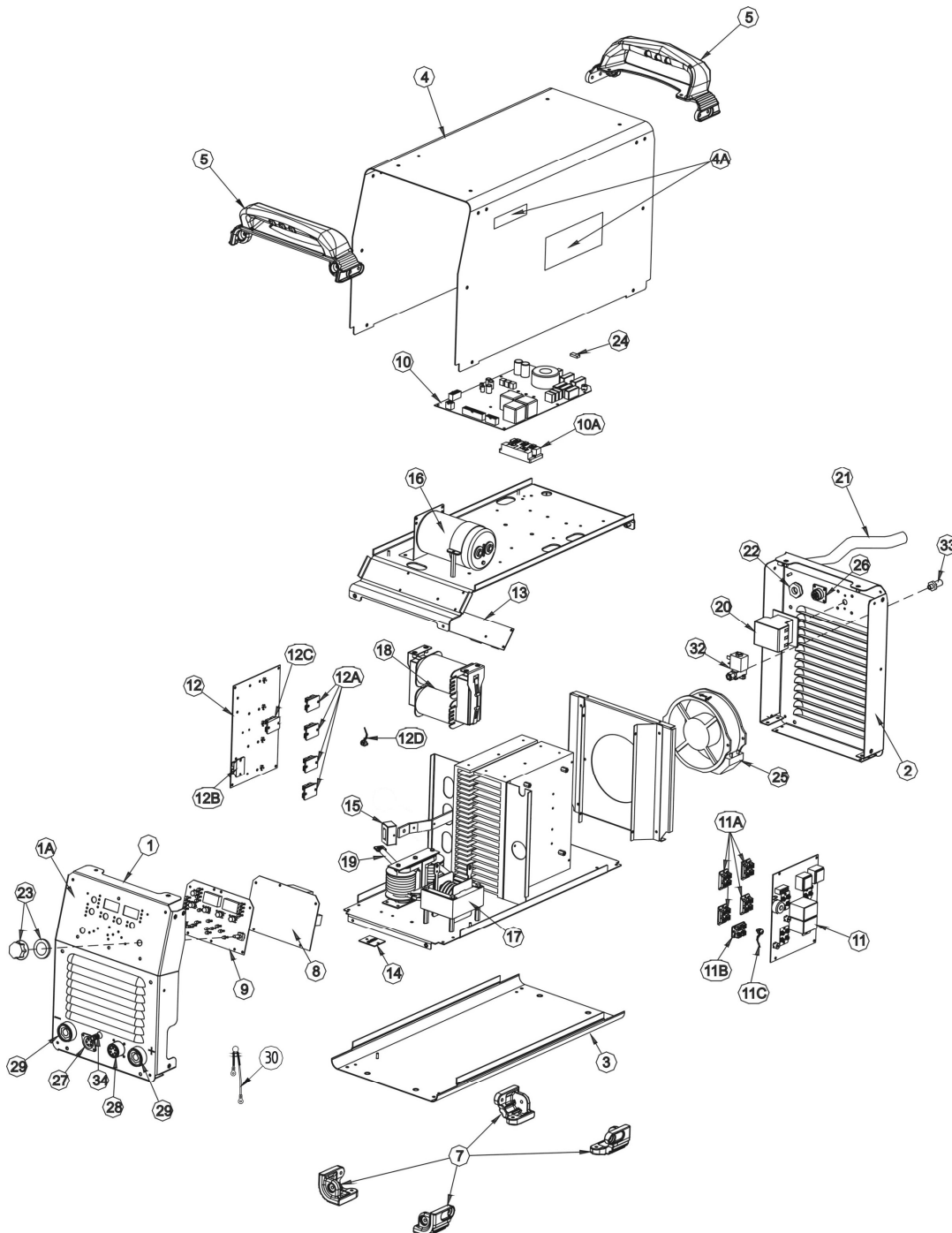


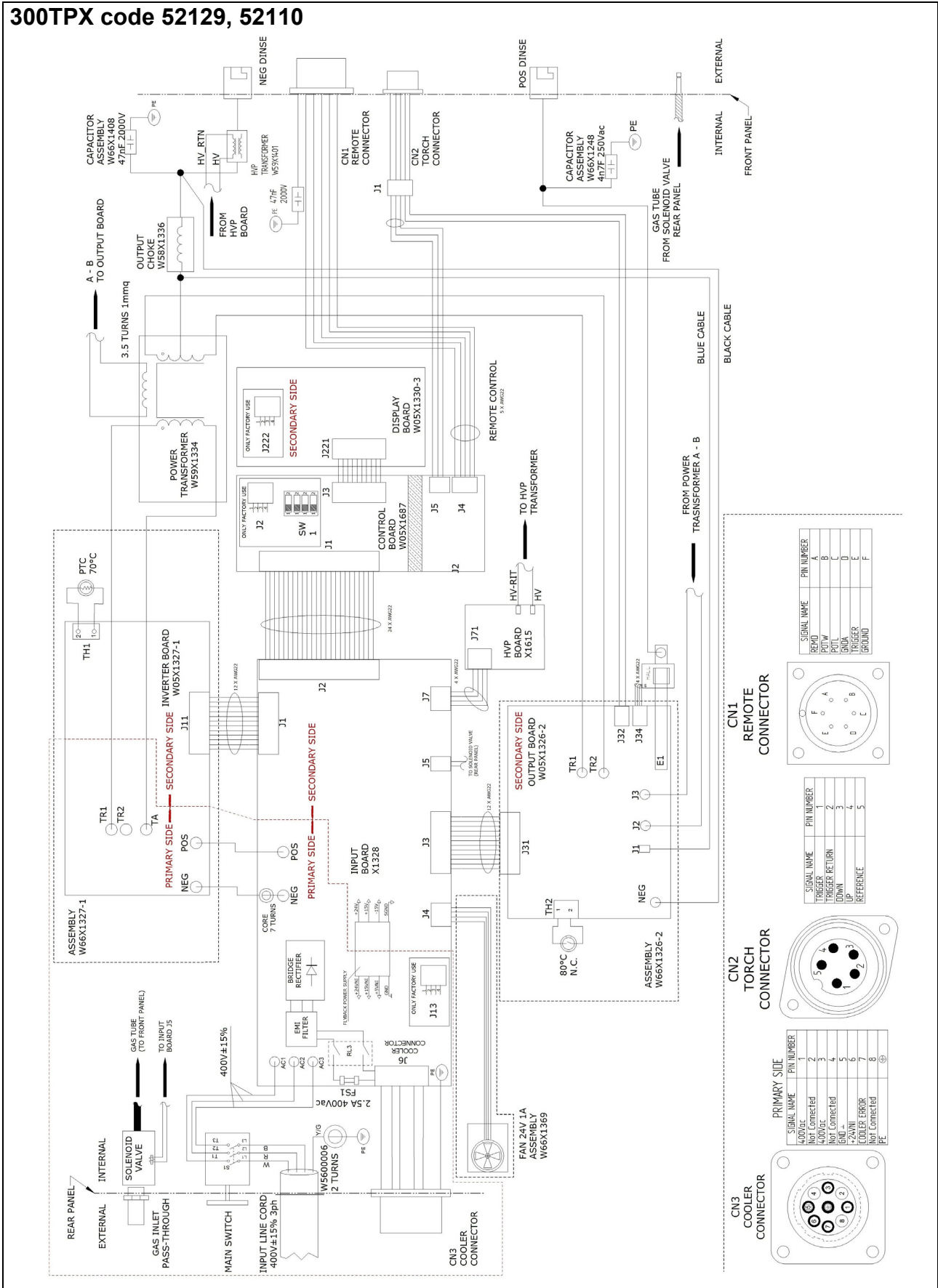
Figure B: 400TPX

Figure B: 400TPX Machine Assembly

Item	Description	Part Number	QTY	1	2	3	4	5	6
1	FRONT FRAME	W93X1425R	1	X					
1A	+ FRONT NAMEPLATE	+ W07X1427R	1	X					
2	REAR FRAME	W93X1426R	1	X					
3	BOTTOM FRAME	W93X1450R	1	X					
4	WRAPAROUND	W93X1141R	1	X					
4A	+ KIT SIDE NAMEPLATES INVERTEC	+ W07X1186R	2	X					
5	FRONT / REAR HANDLE	W95X1150R	2	X					
6	---	---	-	-					
7	KIT 4 ANTI-SLIP FOOT	W95X1147R	1	X					
8	CONTROL P.C. BOARD	W05X1687R	1	X					
9	DISPLAY P.C. BOARD	W05X1330-3R	1	X					
10	INPUT P.C. BOARD	W05X1328-2R	1	X					
10A	+ INPUT RECTIFIER	W4100012R	1	X					
11	INVERTER P.C. BOARD	W05X1327-2R	1	X					
11A	+ POWER IGBT	W4300070R	4	X					
11B	+ POWER RESISTOR	W1810010R	1	X					
11C	+ THERMOSTAT SENSOR	W2510070R	1	X					
12	OUTPUT P.C. BOARD	W05X1442R	1	X					
12A	+ OUTPUT DIODE	W4010040R	4	X					
12B	+ DOUBLER BRIDGE	W4100020R	1	X					
12C	+ POWER RESISTOR	W1810010R	1	X					
12D	+ THERMOSTAT SENSOR	W9600071R	1	X					
13	HF P.C. BOARD	W05X1615R	1	X					
14	CAPACITOR P.C. BOARD	W05X1516-1R	1	X					
15	HALL SENSOR	W4900004R	1	X					
16	D.C. BUS SCREW CAPACITOR	W3880060R	1	X					
17	OUT INDUCTOR	W58X1440R	1	X					
18	OUT TRANSFORMER	W59X1441R	1	X					
19	HF TRANSFORMER	W59X1444R	1	X					
20	SWITCH	W7511706R	1	X					
21	INPUT CORD	W78X0853R	1	X					
22	CABLE CLAMP WITH NUT	W8403222R	1	X					
23	KNOB WITH FELT	W8707653R	1	X					
24	WATER COOLER FUSE	W7300225R	1	X					
25	FAN	W66X1369R	1	X					
26	WATER COOLER CONNECTOR	W6861008R	1	X					
27	TRIGGER TORCH CONNECTOR	R-5141-068-1R	1	X					
28	REMOTE CONTROL CONNECTOR	R-5041-312-1R	1	X					
29	DINSE CONNECTOR	W7690350R	2	X					
30	EMI CAPACITOR ASSEMBLY	R-5141-044-1R	1	X					
31	---	---	-	-					
32	SOLENOID VALVE	W8500011R	1	X					
33	FITTING 1/4-1/8 + NUT 1/4	W8896074R	1	X					
34	FITTING QUICK CONNECTION PU 1/8	W8800082R	1	X					

Electrical Schematic

300TPX code 52129, 52110



400TPX code 52130, 52084

