

INVERTEC 165SX

Spare Parts	1
Figure A. Invertec 165SX Machine Assembly	2
Electrical Schematic	4
CODE: 50395	4



Spare Parts

SP50395 REV03
09/23

ASSEMBLY PAGE NAME			Machine Assembly	Duty Cycle	Volt – Ampere Curves			
CODE NO.:	K NO.:	FIGURE NO.:	A	B	C			
50395	K14170-1	INVERTEC 165SX	1	1	1			

*items highlighted in bold are recommended spare parts

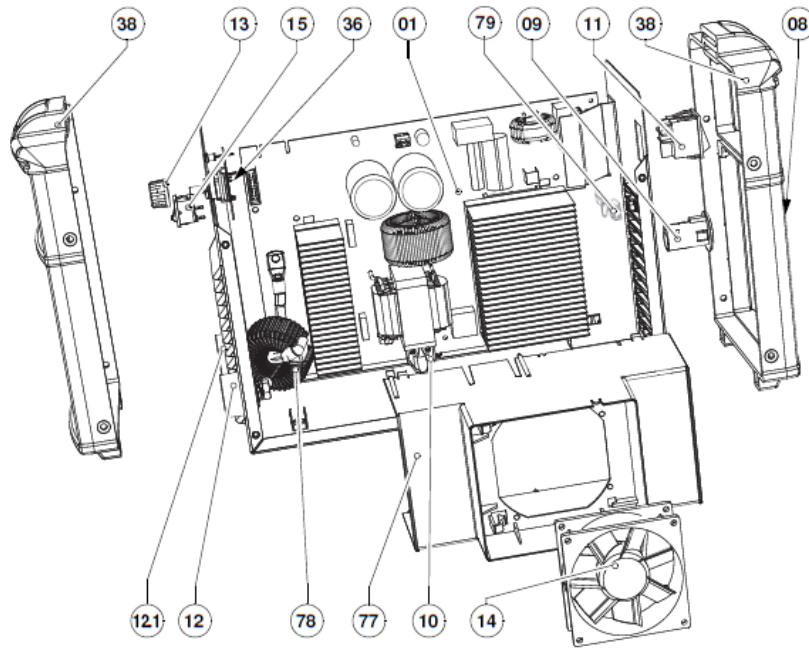


Figure A

Figure A. Invertec 165SX Machine Assembly

Item	Description	Part Number	Qty	1	2	3	4	5	6	7
01	CIRCUIT BOARD CE	W000277812	1	X						
08	POWER CABLE	W000270557	1	X						
09	CABLE CLAMP	W000352000	1	X						
10	BLOCK FIXING	W000252073	1	X						
11	SWITCH	W000352016	1	X						
12	DINSE COUPLING	W000352049	1	X						
12.1	DINSE	W000274821	1	X						
13	KNOB	W000227980	1	X						
13.1	COWL	W000228005	1	X						
14	FAN UNIT	W000376267	1	X						
15	SWITCH	W000270558	1	X						
36	CIRCUIT BOARD	W000270548	1	X						
38	FRAME	W000262733	1	X						
77	AIR CONVEYOR	W000270555	1	X						
78	CABLE WITCH INDUCTOR	W000270556	1	X						
79	VARISITOR	W000374842	1	X						

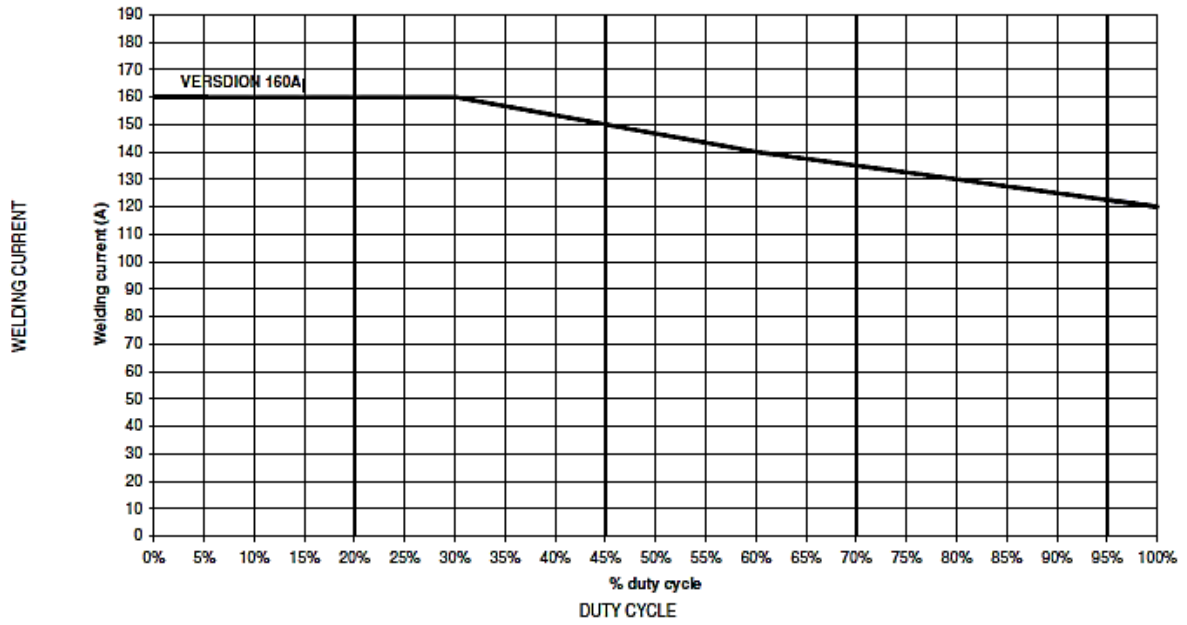


Figure B Duty Cycle

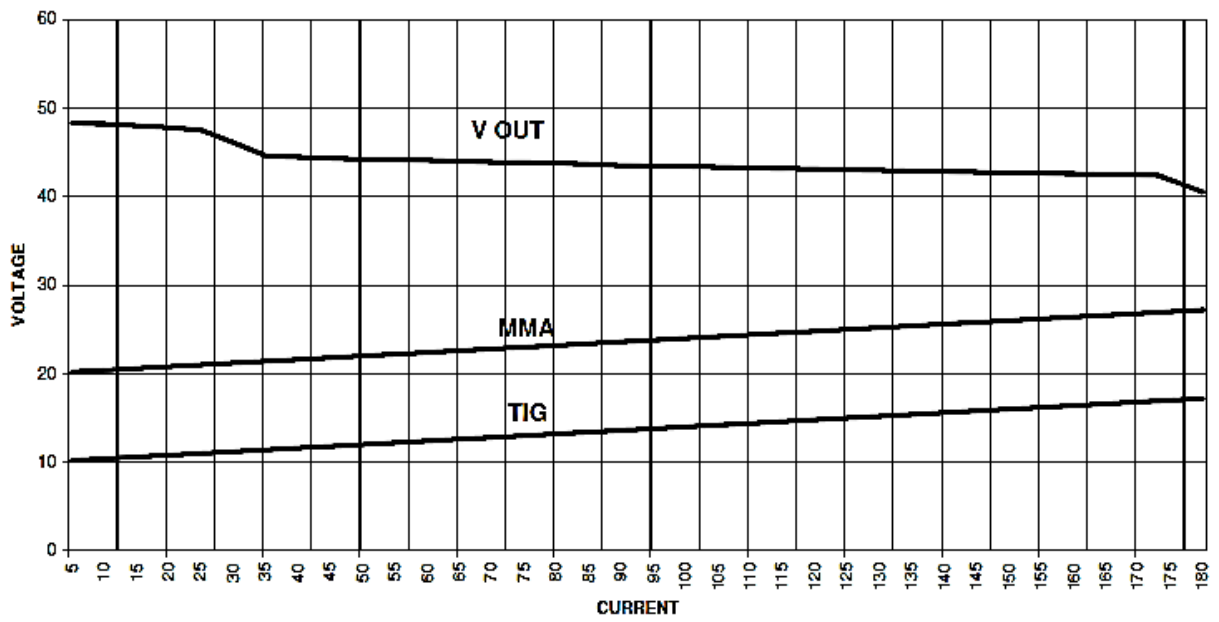


Figure C Volt - Ampere Curves

