

RC7 ADVANCED

Spare Parts.....	1
Figure A: Machine Assembly	1
Figure B: Inside Machine Assembly and Panel Assembly	2



Spare Parts

SP50482 REV04
04/2023

ASSEMBLY PAGE NAME			Machine Assembly	Machine Assembly	Machine Assembly	Miscellaneous Items		
CODE NO.:	K NO.:	FIGURE NO.:	A	B	C	-		
50482	K14203-1	RC7 ADVANCED	1	1	1	1		

*items highlighted in bold are recommended spare parts

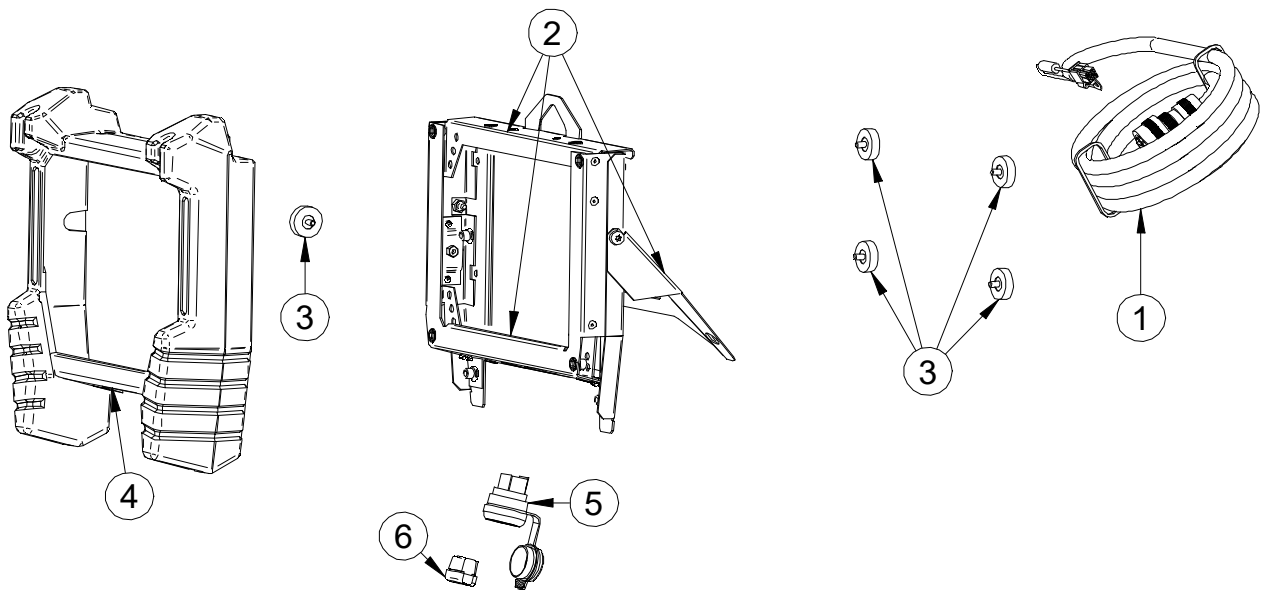


Figure A

Figure A: Machine Assembly

Item	Description	Part Number	QTY	1	2	3	4	5	6	7
1	CABLE	R-5041-412-2R	1	X						
2	CASE ASSEMBLY:	T-8040-128-1R	1	X						
	FRAME ASSEMBLY		1	X						
	COVER		1	X						
	BRACKET		1	X						
3	MAGNETIC HOLDER	0744-000-257R	5	X						
4	PLASTIC COVER	R-0000-319-1R	1	X						
5	SOCKET USB	1158-641-061R	1	X						
6	CABLE BUSHING SB8R-1	1361-599-396R	1	X						

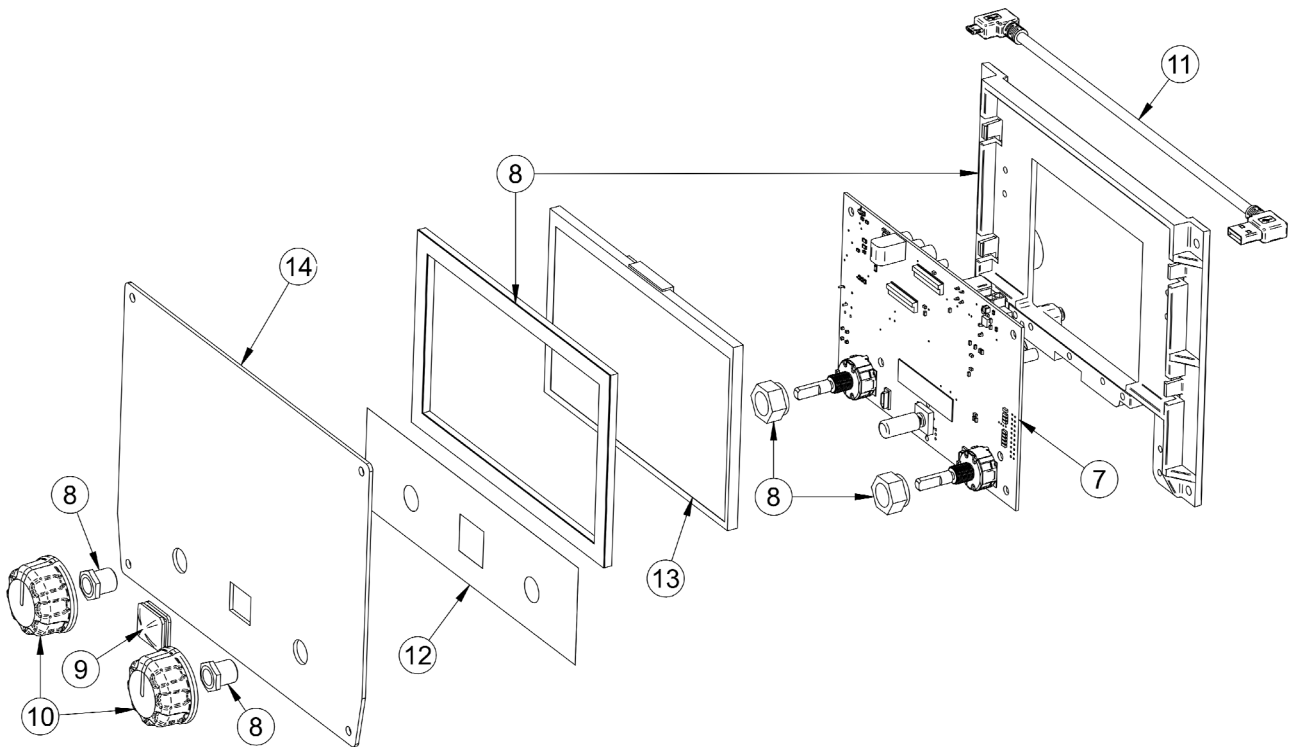


Figure B

Figure B: Inside Machine Assembly and Panel Assembly

Item	Description	Part Number	QTY	1	2	3	4	5	6	7
7	USER INTERFACE PCB	R-6042-098-2R	1	X						
8	PANEL KIT:	T-8040-129-1R	1	X						
	PLASTIC FRAME		1	X						
	DISPLAY GASKET		1	X						
	NUT		2	X						
	SLEEVE		2	X						
9	BUTTON	9SS23055	1	X						
10	KNOB	9SM22778-2	2	X						
11	USB CABLE A - MICRO B - ANGLED	R-0010-837-1R	1	X						
12	LABEL - COPPER TAPE	R-0000-341-2R	1	X						
13	LCD	0942-177-002R	1	X						
14	PANEL	R-0010-833-1R	1	X						