

SPEEDTEC 320CP

SPEEDTEC 320CP Push Pull

| | |
|--------------------------------|---|
| Spare Parts..... | 1 |
| Figure A. Casing..... | 2 |
| Figure B. Wire Feeding..... | 3 |
| Figure C. Internal Parts | 4 |
| Figure D. Front Assembly..... | 5 |
| Figure E. Inverter..... | 6 |
| Figure F. Back assembly..... | 7 |
| Electrical Schematic..... | 8 |
| CODE: 50393..... | 8 |
| CODE: 50589..... | 9 |



Spare Parts

50393 REV02
11/22

| ASSEMBLY PAGE NAME | | | Casing | Wire Feeding | Internal Parts | Wire Drive Front Assembly | Inverter | Back Assembly | Electrical Diagram |
|-----------------------|----------|--------------------|--------|--------------|----------------|------------------------------|----------|---------------|-----------------------|
| CODE NO.: | W NO.: | FIGURE NO.: | A | B | C | C | E | F | G |
| 50393 | K14168-1 | SPEEDTEC 320 CP | 1 | 1 | 1 | 1 | 1 | 1 | 1 |
| 50589 | K14168-2 | SPEEDTEC 320 CP/PP | 1 | 1 | 1 | 1 | 1 | 1 | 1 |

*items highlighted in bold are recommended spare parts

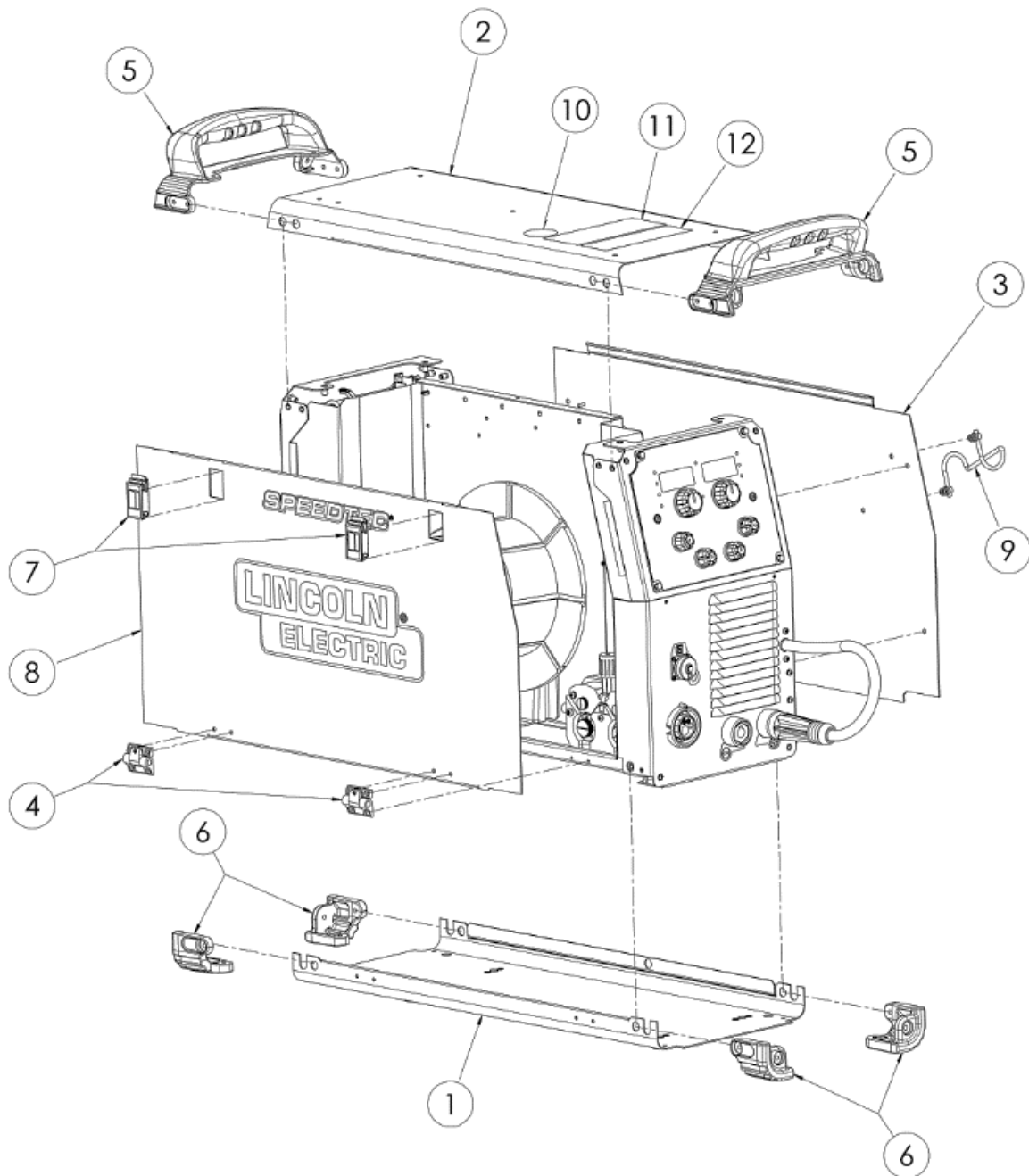


Figure A

Figure A. Casing

| Item | Description | Part Number | Qty | 1 | 2 | 3 | 4 | 5 | 6 | 7 |
|------|---------------------------------------|---------------|-----|---|---|---|---|---|---|---|
| 01 | BOTTOM ASSEMBLY | R-3019-497-1R | 1 | X | X | | | | | |
| 02 | COVER ASSEMBLY | R-3019-498-1R | 1 | X | X | | | | | |
| 03 | LATERAL PANEL ASSEMBLY | R-1019-545-1R | 1 | X | X | | | | | |
| 04 | LOCKING UNIT HINGE | W000278021 | 2 | X | X | | | | | |
| 05 | ASA SPEEDTEC 400S/500S(HANDLE) | R-0010-292-1R | 2 | X | X | | | | | |
| 06 | CORNER CAP | W95x1147R | 4 | X | X | | | | | |
| 07 | LOQUET COULISSANT AFFLEURANT | W000241671 | 2 | X | X | | | | | |
| 08 | DOOR INKED | R-1019-544-1R | 1 | X | X | | | | | |
| 09 | TORCH HOLDER (COMPLET AVEC 87000055P) | W000402488 | 1 | X | X | | | | | |
| 10 | STICKER 3YEARS WARRINTY D-2837-731-2 | 2719-107-823R | 1 | X | X | | | | | |
| 11 | STICKER LIFTING | R-0010-332-1R | 1 | X | X | | | | | |
| 12 | STICKER WARNINGS D-2837-728-1 | 2719-107-728R | 1 | X | X | | | | | |

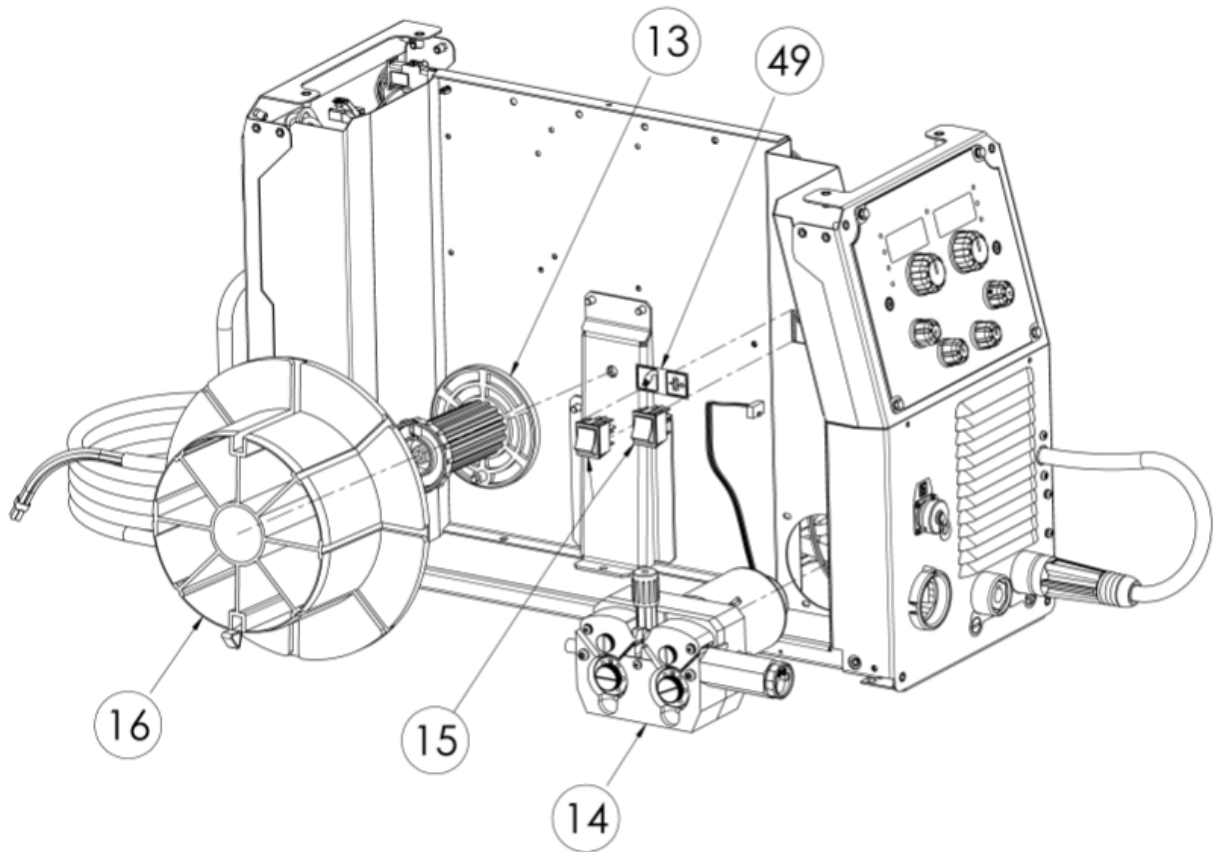


Figure B

Figure B. Wire Feeding

| Item | Description | Part Number | Qty | 1 | 2 | 3 | 4 | 5 | 6 | 7 |
|------|-----------------------------|-------------|-----|---|---|---|---|---|---|---|
| 13 | PLASTIC SPOOL AXIS DV44J | W000149075 | 1 | X | X | | | | | |
| 14 | 4 ROLLS COD150PDVU DMU P400 | W000277988 | 1 | X | X | | | | | |
| 15 | SWITCH 2P SWITCH | W000147188 | 1 | X | X | | | | | |
| 16 | ADAPTER B300 | W000385691 | 1 | X | X | | | | | |

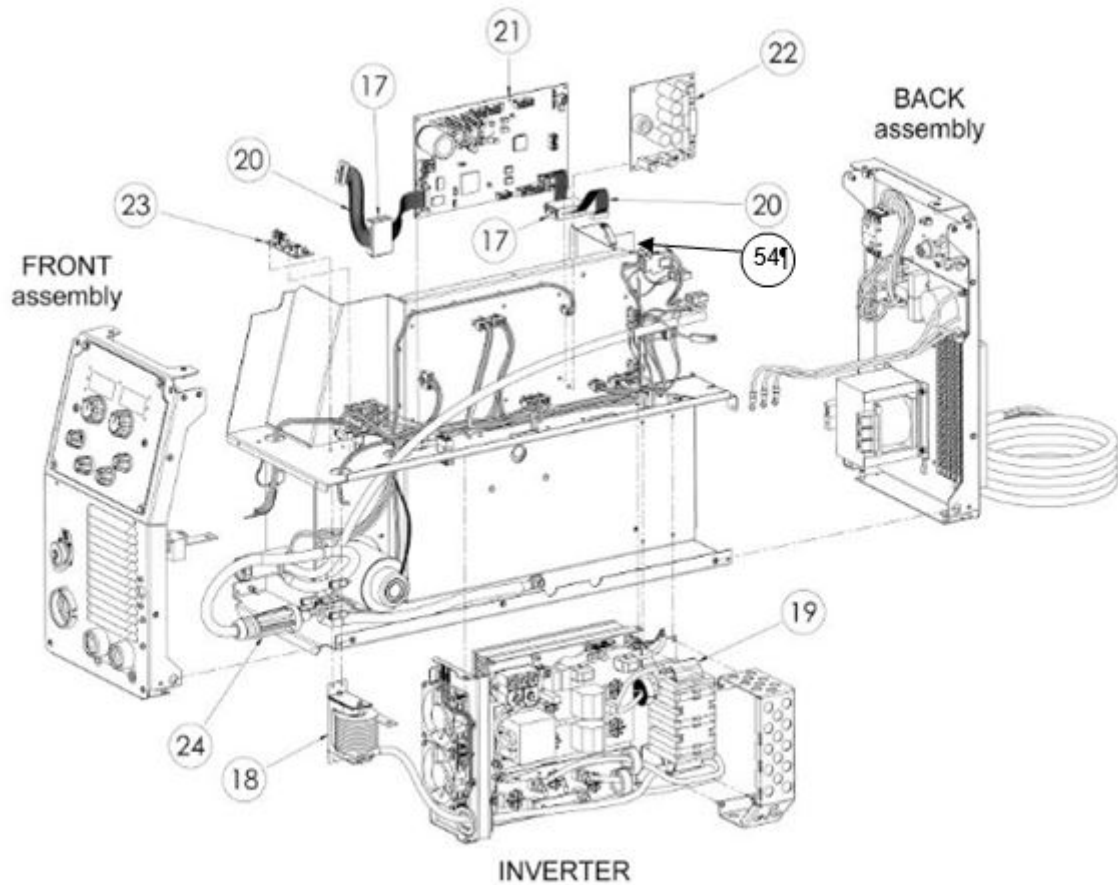


Figure C

Figure C. Internal Parts

| Item | Description | Part Number | Qty | 1 | 2 | 3 | 4 | 5 | 6 | 7 |
|------|-----------------------------|-------------------|-----|---|---|---|---|---|---|---|
| 17 | FERRITE FLAT | W000376585 | 2 | X | X | | | | | |
| 18 | CHOKE 8 TURNS | 90002919PR | 1 | X | X | | | | | |
| 19 | POWER TRANSFORMER | W000385778 | 1 | X | X | | | | | |
| 20 | RIBBON CABLES PULS III | W000384735 | 1 | X | X | | | | | |
| 21 | PCB CYCLE COMMAND | W000386035 | 1 | X | X | | | | | |
| 22 | PCB AUXILAIRY SUPPLY | W000277882 | 1 | X | X | | | | | |
| 23 | ENCODER BOARD | W000386042 | 1 | X | X | | | | | |
| 24 | MALE CONNECTOR 35-50MM | W000010560R | 1 | X | X | | | | | |
| 54 | PUSH PULL BOARD | E523-01R | 1 | | X | | | | | |

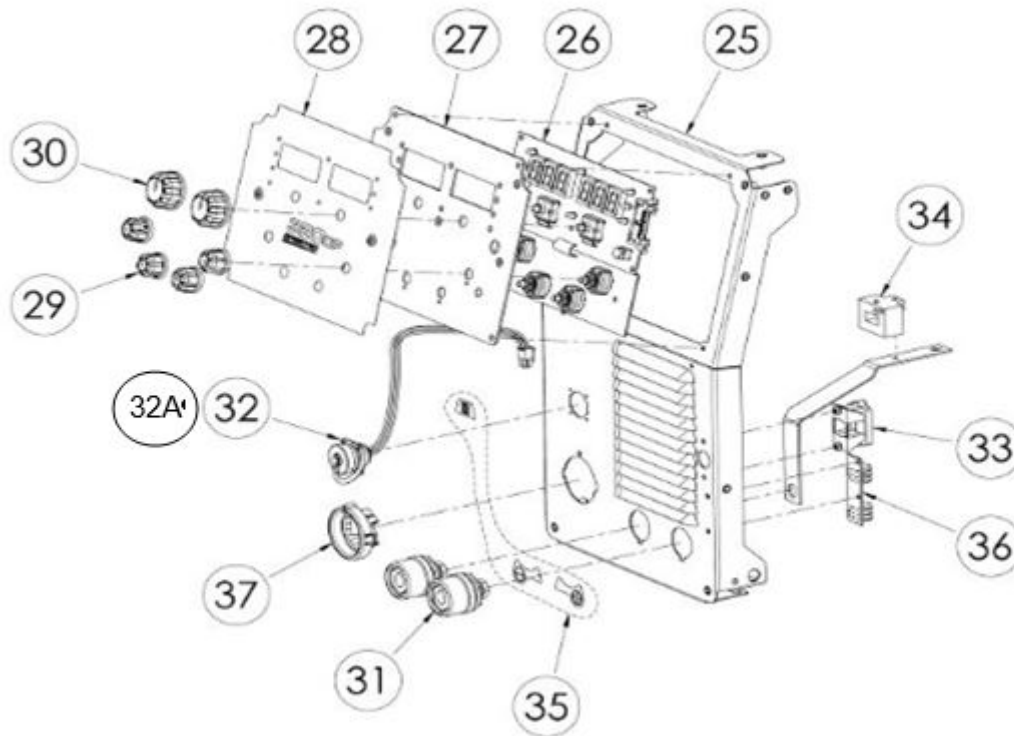


Figure D

Figure D. Front Assembly

| Item | Description | Part Number | Qty | 1 | 2 | 3 | 4 | 5 | 6 | 7 |
|------|---------------------------------------|-------------------|-----|---|---|---|---|---|---|---|
| 25 | FRONT PANEL ASSEMBLY | R-3019-492-1R | 1 | X | X | | | | | |
| 26 | BOARD FRONT PANEL | 91633329PR | 1 | X | X | | | | | |
| 27 | FRONT PANEL BOARD SUPPORT | R-3019-493-1 | 1 | X | X | | | | | |
| 28 | FRONT NAMEPLATE SPEEDTEC 320 CP | R-0010-725-1R | 2 | X | X | | | | | |
| 29 | KNOB 1 INCHES | 9SM22778-1 | 2 | X | X | | | | | |
| 30 | KNOB 1.5 INCHES | 9SM22778-2 | 4 | X | X | | | | | |
| 31 | PRESA FEMMINIA SALD.OPTIP 500I | W000148911 | 2 | X | X | | | | | |
| 32 | "J" HARNESES 320C | R-5241-033-1R | 1 | X | | | | | | |
| 32A | J" HARNESES 320C PUSH PULL | R-5041-600-1R | 1 | | X | | | | | |
| 33 | CABLE CLAMP | 04081581PR | 1 | X | X | | | | | |
| 34 | LEM | 90000389PR | 1 | X | X | | | | | |
| 35 | STICKER PLATE | 90002713PR | 1 | X | X | | | | | |
| 36 | SECONDARY EMC FILTER BOARD | W000386043 | 1 | X | X | | | | | |
| 37 | PLASTIC INSULATOR EURO CONNECTOR | 90003007PR | 1 | X | X | | | | | |

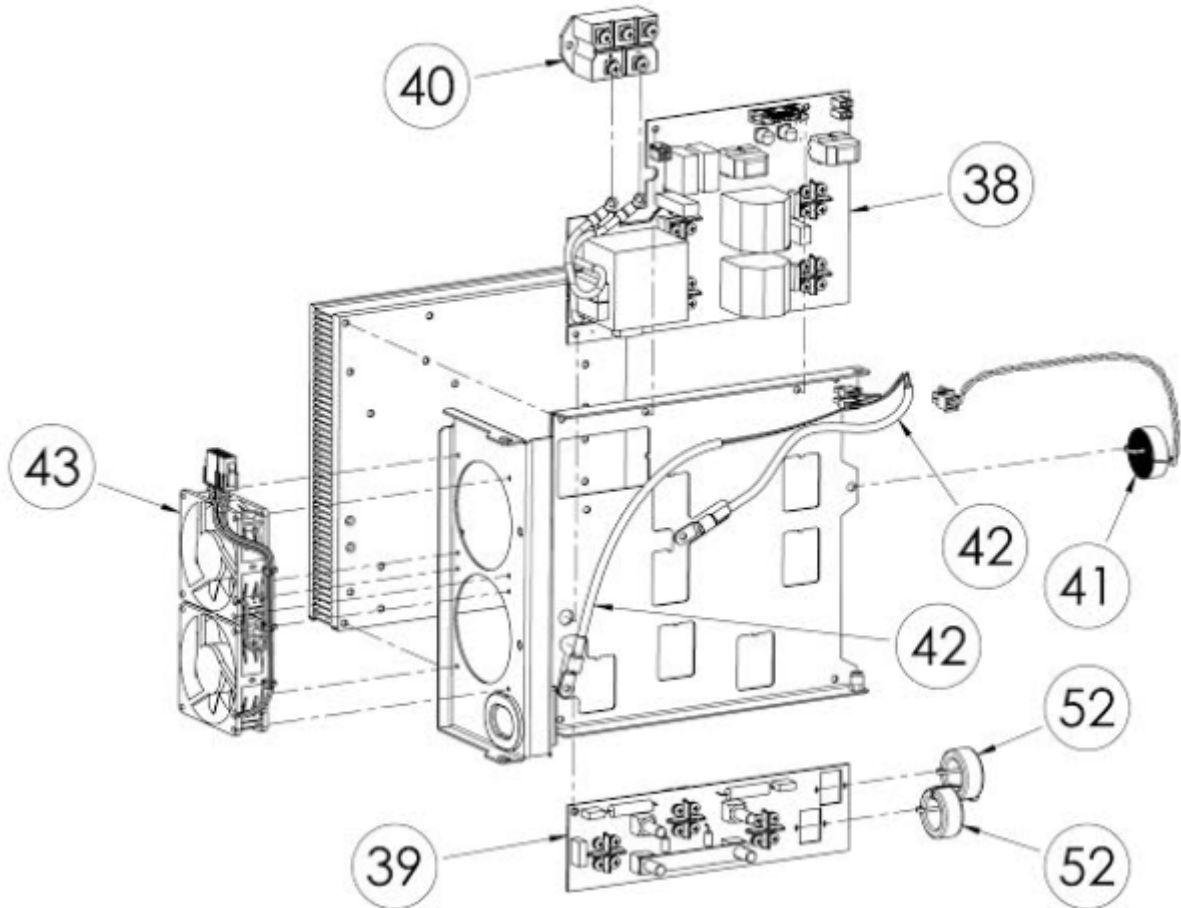


Figure E

Figure E. Inverter

| Item | Description | Part Number | Qty | 1 | 2 | 3 | 4 | 5 | 6 | 7 |
|------|---|---------------|-----|---|---|---|---|---|---|---|
| 38 | PCB PRIMARY | W000386030 | 1 | X | X | | | | | |
| 39 | PCB SECONDARY WITH LED | W000386031 | 1 | X | X | | | | | |
| 40 | BRIDGE RECTIFIER | W000386032 | 1 | X | X | | | | | |
| 41 | CURRENT SENSE TRANSFORMER | 90002925PR | 1 | X | X | | | | | |
| 42 | GENERIC THERMAL SENSOR | 90002863PR | 1 | X | X | | | | | |
| 43 | FAN EQUIP DGPIII COMPACT WORKING SKETCH | R-5241-002-1R | 1 | X | X | | | | | |

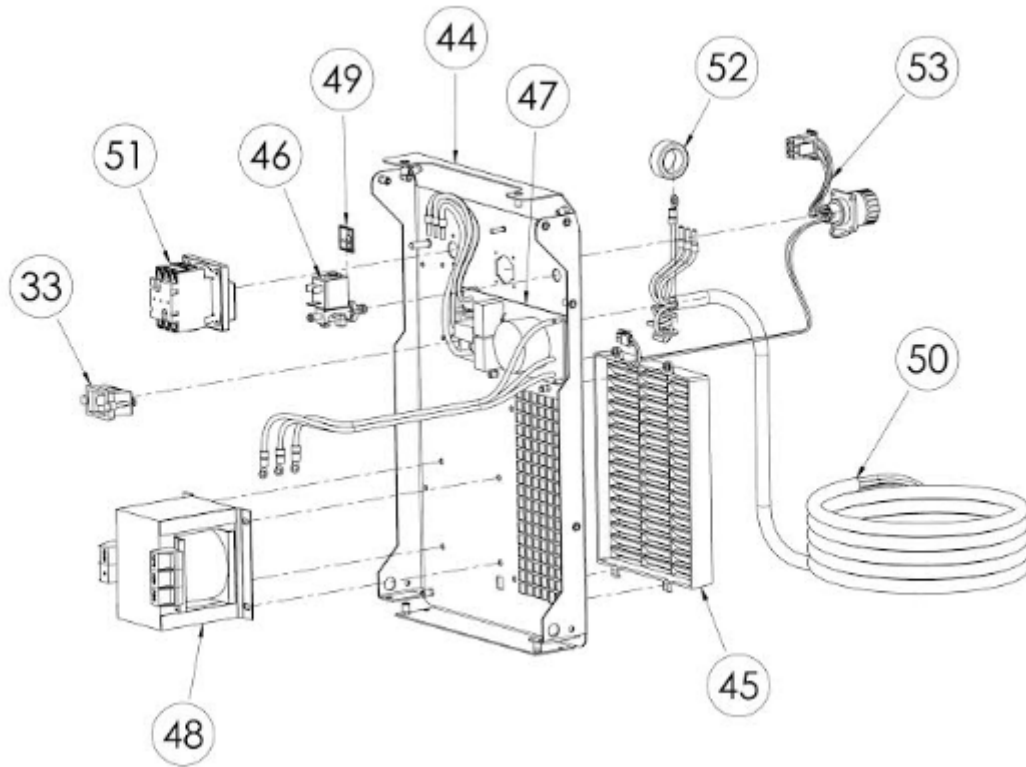


Figure F

Figure F. Back assembly

| Item | Description | Part Number | Qty | 1 | 2 | 3 | 4 | 5 | 6 | 7 |
|------|---|-------------------|-----|---|---|---|---|---|---|---|
| 44 | BACK ASSEMBLY | R-3019-494-1R | 1 | X | X | | | | | |
| 45 | PLASTIC FRAME REAR | W000373702 | 1 | X | X | | | | | |
| 46 | SOLENOID VALVE 24V DC DIGIPULS II | W000278017 | 1 | X | X | | | | | |
| 47 | PRIMARY FILTER BOARD NCI WORKING SKETCH | R-5241-001-1R | 2 | X | X | | | | | |
| 48 | TRANSFORMER 200VA III 320C | W000386041 | 2 | X | X | | | | | |
| 49 | STICKER PLATE WIRE | 90002486PR | 4 | X | X | | | | | |
| 50 | POWER CABLE | R-5241-011-1R | 2 | X | X | | | | | |
| 51 | SWITCH 40A | W000385787 | 1 | X | X | | | | | |
| 52 | FERRITE TORE 36X23X15 | 90002996PR | 1 | X | X | | | | | |
| 53 | COOLER HARNESS | R-5241-079-1R | 1 | X | X | | | | | |

Electrical Schematic

CODE: 50393

