

# TOMAHAWK® 30K & 45

---

Spare Parts.....	1
Figure A: Machine Assembly .....	2
Figure B: Inside Machine Assembly.....	3
Figure C: Front Assembly.....	4
Miscellaneous Items (not shown in figure A, B, C).....	4
Electrical Schematic.....	5
CODE: 50627 .....	5
CODE: 50628 .....	6



# Spare Parts

SP50627, SP50628 REV01  
02/2023

ASSEMBLY PAGE NAME			Machine Assembly	Machine Assembly	Machine Assembly	Miscellaneous Items		
CODE NO.:	K NO.:	FIGURE NO.:	A	B	C	-		
50627	K12038-3	TOMAHAWK®30K	1	1	1	1		
50628	K14391-1	TOMAHAWK®45	2	2	2	2		

\*items highlighted in bold are recommended spare parts

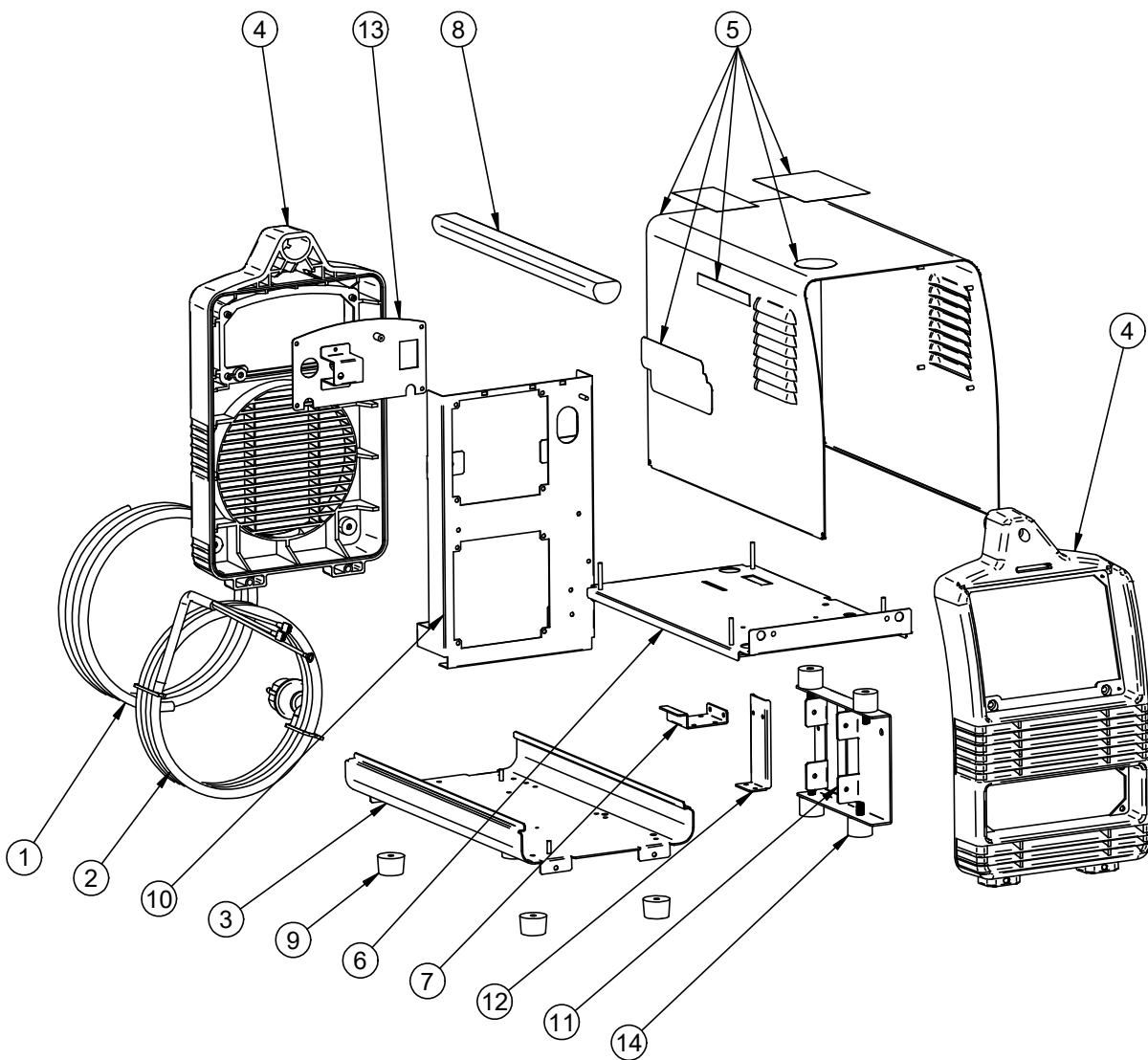


Figure A

**Figure A: Machine Assembly**

Item	Description	Part Number	QTY	1	2	3	4	5	6	7	
1	GROUND CABLE-3M-4	S33578-1-41	1	X	X						
2	MAIN INPUT CORD	S33578-1-39	1	X	X						
3	BASE ASSEMBLY	S33578-1-2	1	X	X						
4	FRONT AND REAR PANEL KIT	T-8040-192-1R	1	X	X						
5	COVER KIT	T-8040-193-1R	1	X							
	TOMAHAWK LABEL		2	X							
	LABEL		1	X							
	LINCOLN ELECTRIC LABEL		2	X							
	TORCH LABEL		1	X							
	COVER		1	X							
5	COVER KIT	T-8040-193-2R	1		X						
	TOMAHAWK LABEL		2		X						
	LABEL		1		X						
	LINCOLN ELECTRIC LABEL		2		X						
	TORCH LABEL		1		X						
	COVER		1		X						
6	SHELF	S33578-1-5	1	X							
	SHELF	S33579-1-5	1		X						
7	BRACKET	S33578-1-18	1	X							
8	HANDLE	S33578-1-16	1	X	X						
9	FOOT	S33578-1-21	4	X	X						
10	FAN BRACKET	S33578-1-4	1	X	X						
11	COMPRESSOR BRACKET	S33578-1-28	1	X							
12	AIR FILTER BRACKET	S33578-1-22	1	X	X						
13	REAR PANEL PLATE	S33578-1-6	1	X	X						
14	SILENTNBLOCK	S33578-1-29	4	X							

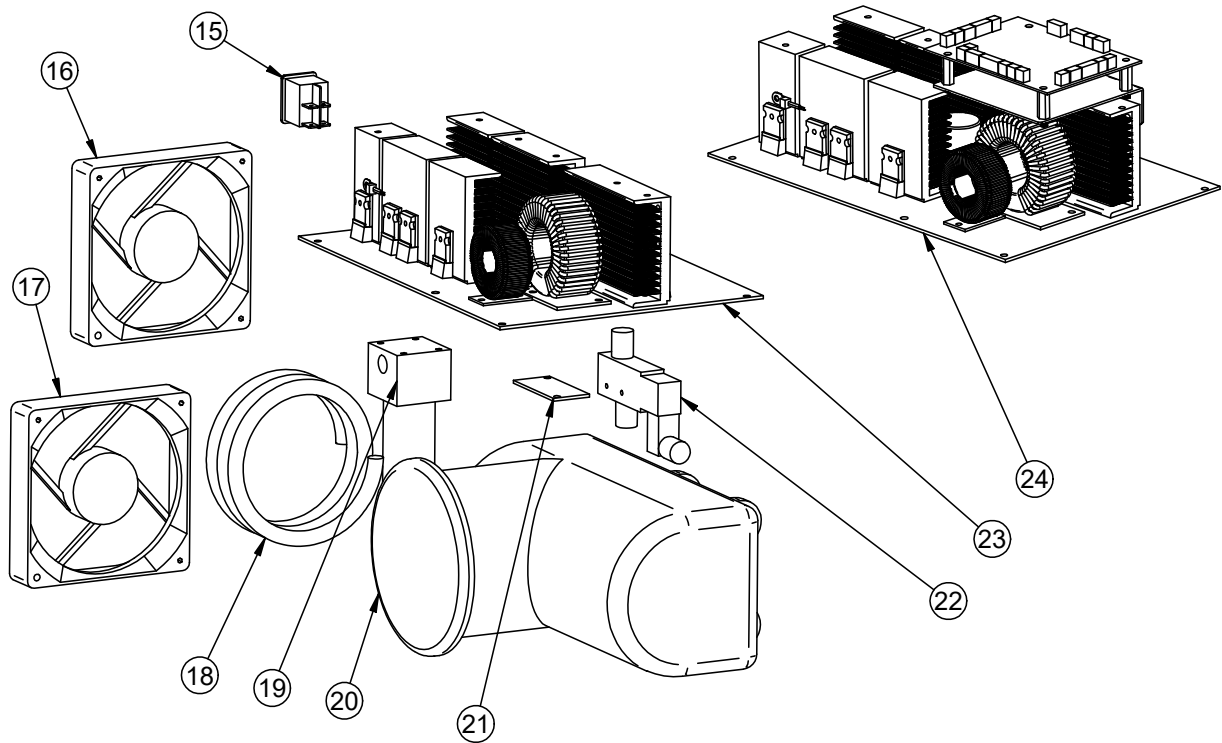


Figure B

Figure B: Inside Machine Assembly

Item	Description	Part Number	QTY	1	2	3	4	5	6	7
15	MAIN SWITCH	S33578-1-17	1	X	X					
16	FAN DC 24V	S33578-1-12	1	X	X					
17	FAN 240V	S33578-1-7	1	X						
18	COOLING SPIRAL	S33578-1-19	1	X						
19	AIR FILTER	S33578-1-9	1	X	X					
20	COMPRESSOR	S33578-1-33	1	X						
21	COMPRESSOR PCB	S33578-1-11	1	X						
22	ELECTRO VALVE	S33578-1-20	1	X	X					
23	POWER PCB	S33578-1-32	1	X						
24	POWER PCB	S33579-1-32	1		X					

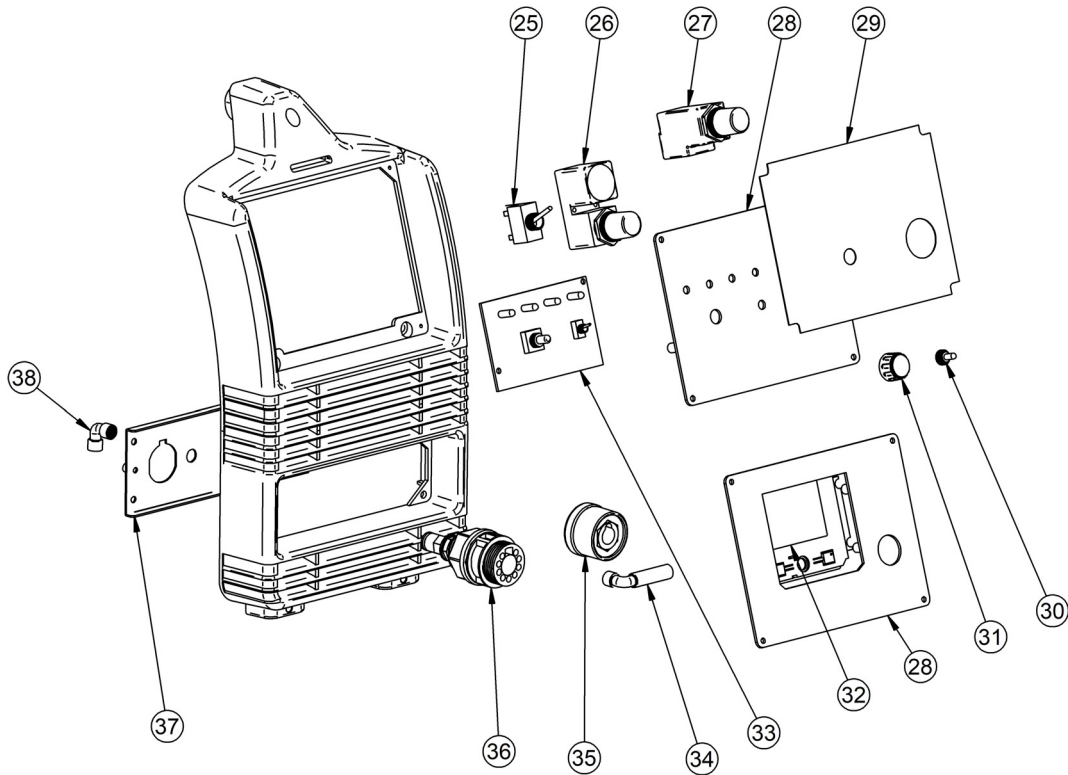


Figure C

Figure C: Front Assembly

Item	Description	Part Number	QTY	1	2	3	4	5	6	7
25	SWITCH	S33578-1-35	1	X						
26	PRESSURE GAUGE	S33578-1-23	1	X						
27	PRESSURE GAUGE	S33579-1-23	1		X					
28	FRONT SHEET METAL PLATE	S33578-1-26	1	X						
	FRONT SHEET METAL PLATE	S33579-1-25	1		X					
29	FRONT PANEL DECAL	R-0000-373-1R	1	X						
	FRONT PANEL DECAL	R-0000-373-2R	1		X					
30	FLOW TEST SWITCH	S33578-1-24	1	X						
31	KNOB	S33578-1-25	1	X						
31	KNOB	S33579-1-24	1		X					
32	LCD SCREEN	<b>S33579-1-27</b>	<b>1</b>		X					
33	FRONT PANEL UI	<b>S33578-1-27</b>	<b>1</b>	X						
34	AIR FILTER	S33578-1-31	1	X						
35	WELDING SOCKET	S33578-1-30	1	X	X					
36	TORCH EURO CONNECTION	S33578-1-13	1	X						
	TORCH EURO CONNECTION	S33579-1-13	1		X					
37	FRONT SHEET METAL PLATE	S33578-1-34	1	X						
	FRONT SHEET METAL PLATE	S33579-1-26	1		X					
38	ELBOW	S33578-1-14	1	X						

Miscellaneous Items (not shown in figure A, B, C)

Item	Description	Part Number	QTY	1	2	3	4	5	6	7
39	AIR TUBES KIT	T-8040-194-1R	1	X						
	AIR TUBES KIT	T-8040-194-2R	1		X					
40	LC30 4M PLASMA HAND TORCH	R-0000-389-1R	1	X						
41	LC45 6M PLASMA HAND TORCH	R-0000-390-1R	1		X					

# Electrical Schematic

CODE: 50627

