



• PT-1000

# POSITIONER

Compact / Reliable / High Quality

Welding Equipment

# POSITIONER

With proper fixture, a welding positioner grips and rotates the workpiece setting up ergonomic working posture during welding, machining and assembly of workpieces for the operator and providing faster and more efficient process.

ProArc PT series welding positioners allow steel fabrication shops operator to position the jobs for 'downhand' position in the shortest possible time, without the use of cranes and manpower. The constructions of ProArc positioners provide safe, long-life operation and trouble-free service.



• PT-500



• PT-103



• PT-203

---

## Features

- Capacities range from 100 to 20,000 kilograms 360° degree rotation, 135° degree tilts on all models
  - High frequency protected
  - Machined "T" slots table with pilot and through hole
  - High quality worm gear reducers for smooth operation and minimal backlash
  - Free maintenance grounding system.
  - AD type adjustable table height option available.
  - Standard forward/reverse rotation and variable speed control
-

# POSITIONER

## Optional accessories

- Current brush with higher amperage capacity
- Grippers
- Servo motor for rotational axis
- Variable speed foot control



• PT-204

## CB-102 / CB-102D

Digital controller with reference function for 100kg, 200kg positioner



## CB-500

Advanced ServoArc controller



## AD type

Adjustable height positioner



## PG-150

3-Jaw gripper  
OD 4 - 150 mm



## PG-450L

3-Jaw gripper  
OD 4 - 450 mm



## PG-500

3-Jaw gripper  
OD 4 - 500 mm



# POSITIONER

## Specification

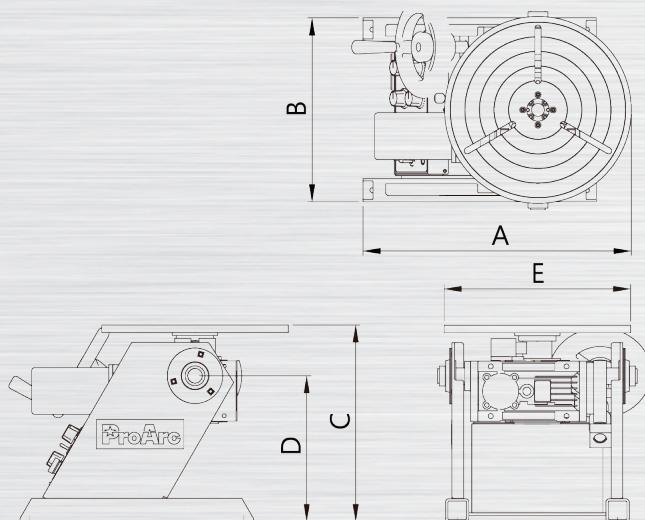
Model	Unit	PT-103(4)	PT-203(4)	PT-500(M)	PT-1000	PT-2000
Power input	~	AC 100 ~ 240V, 50/60Hz, 1 Phase			AC 220V, 50/60Hz 1 Phase	
Capacity	kg	100 / 60	200 / 130	500	1,000	2,000
Rated center of gravity	mm			100	300	300
Rated eccentricity	mm	Please refer to ※3		100	200	300
Rotation speed	rpm	Please refer to ※3		0.12 ~ 2	0.05 ~ 1	0.05 ~ 0.8
Welding timer	sec	0 ~ 60	0 ~ 60	0 ~ 60		
Tilt range	deg	0 ~ 120°	0 ~ 120°	0 ~ 135°	0 ~ 135°	0 ~ 135°
Earthing	amp	300	300	300	300	600
Overall length (A)	mm	460	460	750	1,100	1,380
Overall width (B)	mm	315	315	650	930	1,200
Overall height (C)	mm	340	340	620	800	1,036
Center to floor (D) (AD type)	mm	250	250	540 (540~915)	700 (700~1,075)	900 (900~1,300)
Table dimension (E)	mm	320	320	450	600	800
Through hole	mm	Ø22	Ø22	Ø25	Ø26	Ø35
Table slot bolt size		M10	M10	M12	M12	M16
Weight	kg	38	42	135	350	750

※1 Digital type (PT-104, PT-204)

※2 Manual Tilt (PT-500M)

※3 Please refer to E.Z.Arc catalogue

## Dimensions



## Specification

Model	Unit	PT-3000	PT-5000	PT-10K	PT-15K	PT-20K	PT-25K
Power input	~	AC 220V, 50/60Hz, 3 Phase					
Capacity	kg	3,000	5,000	10,000	15,000	20,000	25,000
Rated center of gravity	mm	300	300	300	300	300	300
Rated eccentricity	mm	200	200	300	300	300	200
Rotation speed	rpm	0.05 ~ 0.8	0.04 ~ 0.8	0.02 ~ 0.5	0.01 ~ 0.25	0.01 ~ 0.25	0.01 ~ 0.25
Tilt range	deg	0 ~ 135°	0 ~ 135°	0 ~ 135°	0 ~ 135°	0 ~ 135°	0 ~ 135°
Earthing	amp	600	600	1,200	1,200	1,200	1,200
Overall length (A)	mm	1,540	1,800	2,450	2,720	3,050	3,350
Overall width (B)	mm	1,310	1,470	1,800	2,000	2,250	2,500
Overall height (C)	mm	1,140	1,250	1,460	1,630	1,785	1,785
Center to floor (D) (AD type)	mm	1,000 (1,000~1,500)	1,100 (1,100~1,800)	1,250 (1,250~2,050)	1,400 (1,400~2,400)	1,530 (1,530~2,530)	1,530 (1,530~2,530)
Table dimension (E)	mm	1,000	1,200	1,500x1,500	1,750x1,750	2,000x2,000	2,000x2,000
Through hole	mm	Ø40	Ø40	Ø50	Ø50	Ø50	Ø50
Table slot bolt size		M20	M24	M30	M30	M30	M30
Weight	kg	1,800	2,800	4,200	5,300	6,500	7,500

※ 1 Digital type (PT-104, PT-204)

※ 2 Manual Tilt (PT-500M)

※ 3 Please refer to E.Z.Arc catalogue

## Dimensions



ISO OERLIKON AG Schweisstechnik  
 CH-5737 Menziken AG – Tel. +41 (0)62 771 83 05  
 E-Mail info@iso-oerlikon.ch – www.iso-oerlikon.ch

