

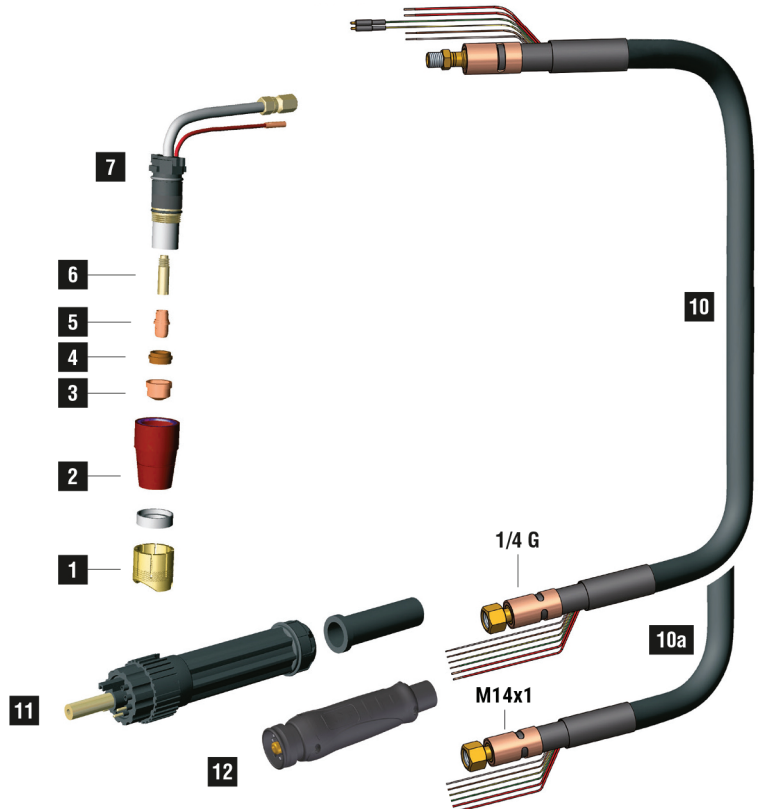
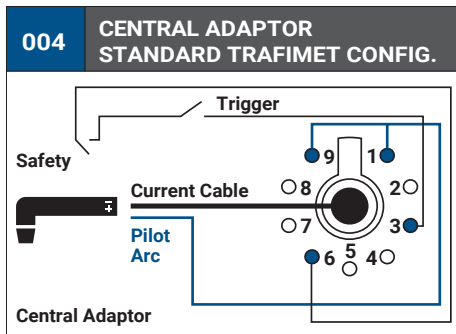
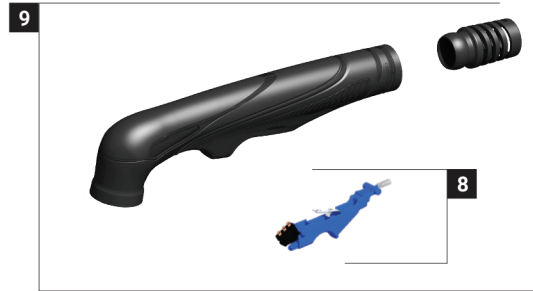
EXPRES CUT A151

CE EN60974-7



CODE	↔		
PAA406M-000-WA3	6 m	19.7'	 1/4 GAS
PAA406M-082-WA3	6 m	19.7'	 M14x1
PAA406M-004-WA3	6 m	19.7'	 CENTRAL 004
PAA406M-304-WA3	6 m	19.7'	 TRAFIMECTOR® 304

TECHNICAL DATA		
HF	EXPRES CUT A151	
1 m	1,1 kg	2,43 lb
V PEAK	500	
	5 bar	
	230 l/min	
X 60%	150 A	
X 100%	120 A	
	35-40mm	1"3/8 - 1"9/16



	CODE		DESCRIPTION	Ø	LENGTH	CONTACT				DRAG		GOUGING	REF	
						CONTACT SHORT	CONTACT LONG	DRAG SHORT	DRAG LONG	GOUGING				
1	CV0008		stand off guide		32,5 mm		•						51957	10
1	CV0009		stand off guide		38,6 mm					•				10
1	CV0011		stand off guide		23 mm	•							1386	10
1	CV0012		stand off guide		30 mm	•							1408	2
1	CV0014		stand off guide		30 mm	•								2
1	CV0021		stand off guide	32,8 mm	40,6 mm	•								1
1	CV0023		stand off guide		17,6 mm						•			10
1	CV0039		stand off guide		18,5 mm	•								2
1	CV1105		stand off guide		30 mm		•							10
1	CV1106		stand off guide		28 mm		•							10
2	BW0139		shield for CV1105		7,5 mm		•							10
2	BW0146		shield for CV1106		7,5 mm		•							10
2	CV1107		stand off guide		17 mm	•								10
2	FH0297		insulator for CV0039/ CV0023			•					•			10
2	PC0120		long life nozzle		50,9 mm	•	•							2
2	PC0131		long life		50,9 mm	•		•		•	•			2
3	PD0109-11		60 A	1,1 mm	.043"	12,7 mm	•	•	•	•				10
3	PD0109-14		100 A	1,4 mm	.055"	12,7 mm	•	•	•	•				10
3	PD0109-16		130 A	1,6 mm	.063"	12,7 mm	•	•	•	•				10
3	PD0109-18		140 A	1,8 mm	.071"	12,7 mm	•	•	•	•				10
3	PD0109-30		gouging tip	3,0 mm	1/8"	12,7 mm						•		
3	PD0111-12		80 A	1,2 mm	.047"	35,8 mm			•					10
3	PD0117-14		100 A	1,4 mm	.055"	34,8 mm				•				10
3	PD0117-17		130 A	1,7 mm	.066"	34,8 mm				•				10
3	PD0117-19		140 A	1,9 mm	.075"	34,8 mm				•				10
4	PE0103		diffuser		7,8 mm	•	•	•	•	•	•			2
5	PR0111		electrode		20,5 mm	•	•	•	•		•			10
5	PR0116		electrode		43,1 mm				•		•			10
6	FH0563		air tube		29 mm	•	•	•	•	•	•			1

	CODE		DESCRIPTION	
7	EA0131		O-ring Ø 19 x 2 mm	10
7	PF0160		A151 torch head	1
8	TP0310		trigger kit	1
9	TP0303		handle kit	1
9	BW0424		spring joint	1
10	PH4023		coaxial cable - 6 m / 19.7' - 1/4 G (no pin)	1

	CODE		DESCRIPTION	
10a	PH4020		coaxial cable - 6 m / 19.7' - M14x1	1
11	BW0147		cable support	10
11	FY0023		plasma central adaptor - 5 pins	1
12	FY0090		TRAFIMEKTOR® central adaptor - torch side	1
	EA0254		pin extractor for central adaptor	1
	PT0202		male spring pins kit (5 pcs)	1

STANDARD



CONTACT SHORT



CONTACT LONG



DRAG SHORT



DRAG LONG



GOUGING